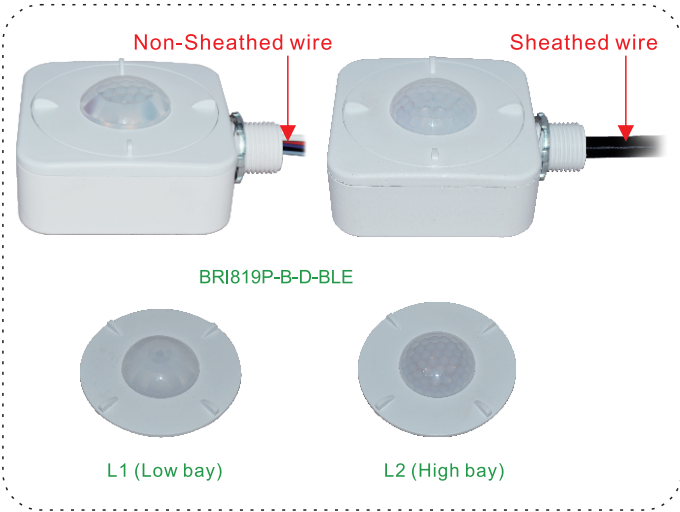


PROJECT NAME: _____ CAT. #: _____
 NOTES: _____ FIXTURE SCHEDULE: _____

Rectangular Network BLE Nodes & Sensors



Sharkward Overview

The Sharkward Bluetooth Lighting Control provides automated individual and group control of light fixtures using on sensors and Bluetooth sigmesh technology. The BRI819P-B-D-BLE mounted in an Commercial lighting fixture and provides multi-level control solution based on motion and or daylight harvesting contribution.

Applications:

- Car Parking
- Hospitals
- Schools
- Warehouses
- Industrial

Features

- Lighting controls meet design lights consortium (DLC) networked lighting control system technical requirements (Version NLC5 June 23, 2020).
- Quicky connect and adjust different sensor angle.
- Easy commissioning with tuya/sharkward App (Available in IOS and Android).
- Bluetooth network with SaaS working by computer
- Individual addressability and/or grouping.
- Time clock scheduling for individual lights, groups or scenes.
- Multi-level dimming: manual ON/OFF automatic ON/OFF, and automatic partial ON/OFF ,daylight harvesting control capability.
- 5 Year Warranty

PIR Sensor Features

DAYLIGHT HARVESTING	ON/OFF
MOTION SENSING	ON/OFF
FIRST TIME DELAY	1-59 minutes/infinite
SECOND TIME DELAY	0-59 minutes/infinite
DIM LEVEL	0-100%
MOUNTING HEIGHT	13-40ft
DETECTION RANGE	Up to 52ft diameter
DETECTION HORIZONTAL PATTERN	360°
DETECTION VERTICAL PATTERN	90°

Ordering Information

MODEL NUMBER	DESCRIPTION
BRI819P-B-D-BLE	NETWORK NODE RECTANGULAR, BLACK & WHITE
BRI819P-B-D-P-BLE	NETWORK NODE RECTANGULAR, BLACK & WHITE, IP65



5-year standard warranty (further details available at www.sharkward.com) Product may be eligible for a warranty extension to 10 years, for an additional fee. Contact sharkward for details.

PROJECT NAME: _____ CAT. #: _____
 NOTES: _____ FIXTURE SCHEDULE: _____

Rectangular Network BLE Nodes & Sensors

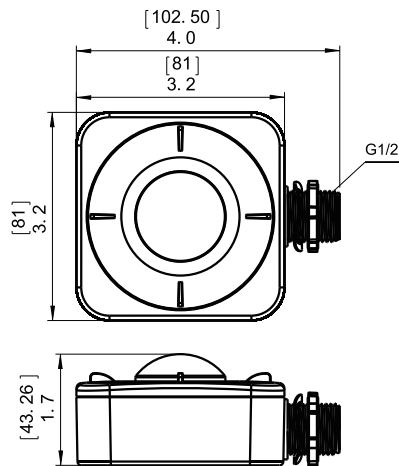
Specifications:

	BRI819P-B-D-BLE	BRI819P-B-D-P-BLE
NETWORK BLE SIGMESH	Yes	
DAYLIGHT HARVESTING	Yes	
DIGITAL PIR MOTION SENSOR	Yes	
DETECTION MODE	Occupancy/Vancancy/Bi-level in 1 Unit	
OPERATING VOLTAGE	120/277V AC	
MAXIMUM LOAD	5A, 600W Max. for LED driver only	
SINKING CURRENT	max. 25mA	
CONTROL OUTPUT	0-10V	
RADIO FREQUENCY	2.4GHz ± 75MHz	
WIRELESS STANDARD	BLE 4.2 MESH IEEE 802.15.1	
PROGRAMMING	Tuya/sharkward App mobile app (IOS and android) or SaaS	
CYBERSECURITY	UL1376	
ENCRYPTION	AES 128-bit	
MESH RANGE	100ft node-to-node and 50ft node-to-device (Commissioning)	
SAFETY	cULus Listed	
FCC	FCC ID:	
OPERATING TEMPERATURE	-40°F ~ +167°F (-40°C ~ +75°C)	
IP RATING	IP20	IP65
COLOR	BLACK & WHITE	

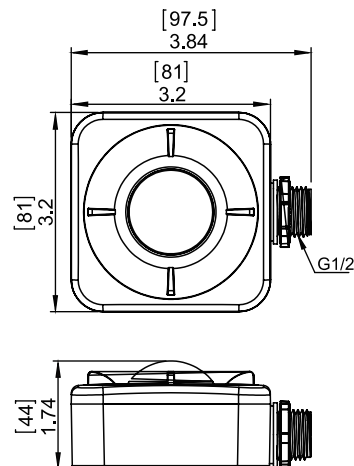
*Must be paired with a Network Wall Switch

Product Dimensions

BRI819P-B-D-BLE



BRI819P-B-D-P-BLE



5-year standard warranty (further details available at www.sharkward.com) Product may be eligible for a warranty extension to 10 years, for an additional fee. Contact sharkward for details.

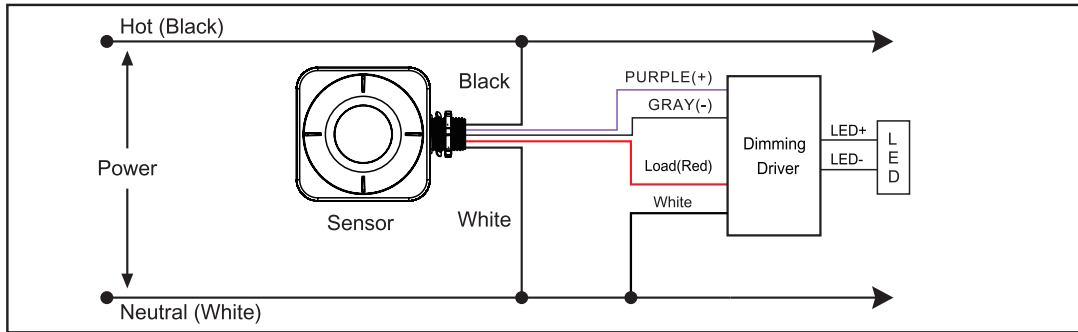
PROJECT NAME: _____ CAT. #: _____
 NOTES: _____ FIXTURE SCHEDULE: _____

Rectangular Network BLE Nodes & Sensors

Wiring

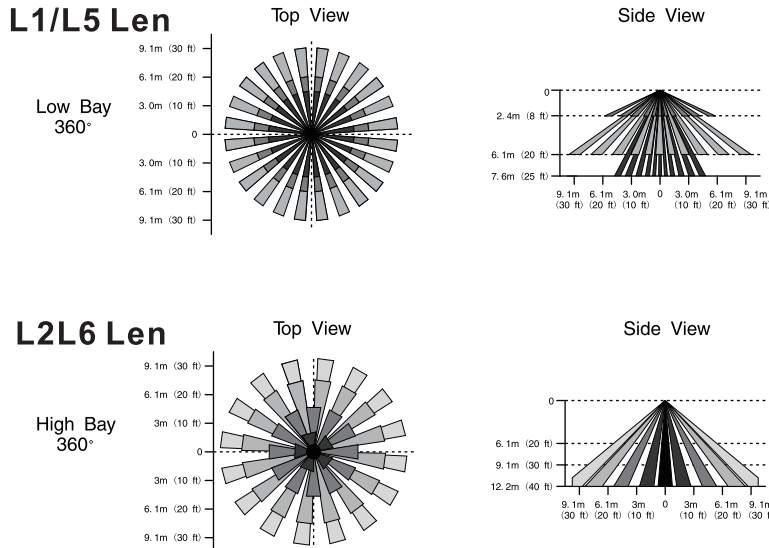
BRI819P-B-D-BLE / BRI819P-B-D-P-BLE

BRI819P-B-D-BLE / BRI819P-B-D-P-BLE wiring with dimming ballast or LED driver.



Detection Coverage

BRI819P-B-D-BLE / BRI819P-B-D-P-BLE



Commissioning

Tuya/Sharkward mobile App makes it easy to pair devices, create groups, set scenes/schedules, customize dimming levels, and adjust high trim based on application needs.



5-year standard warranty (further details available at www.sharkward.com) Product may be eligible for a warranty extension to 10 years, for an additional fee. Contact sharkward for details.