

# PIR SENSOR SERIES



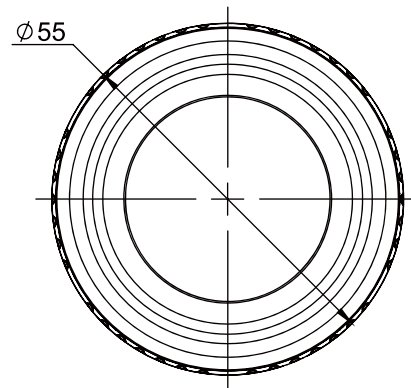
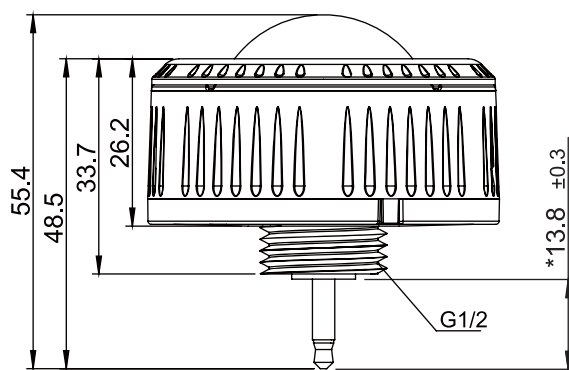
## MSANT12VPHS01

The MSANT12VPHS01 uses PIR motion detector architecture and passive infrared (PIR) technology for improved detection coverage for high bay applications.

- PIR sensor.
- Daylight Harvesting
- Bluetooth® SIG mesh.
- High-End Trim, Zoning, Continuous Bi-level Dimming
- LED Motion indicator
- Mounting height up to 40 ft
- 360° coverage pattern.
- Low Voltage connector
- Technology Partner SILVAIR



## DIMENSIONS



## FEATURES AND BENEFITS

- Bluetooth to 0-10V signal converter, Bluetooth® mesh network
- Built-in 20mA 0-10V signal output.
- Mesh network, which has a much longer control distance, transmits received signals to neighboring devices.
- All devices on 0-10V line are broadcast controlled by mobile application.
- In typical outdoor environment, the typical range for wireless communication is 60m.
- Actual range is dependent on field installation.
- Available with Magnetic reset (Touch the top part of sensor for 5 seconds).
- On-board antenna

# TECHNICAL DATA

Motion Sensor	Passiveinfrared sensor
Input Power	12-24VDC, >50mA
Control Output	0-10V, max 25mA sinking current
Mounting height	40ft(12m)Max.
Detection angle	360°
Operating temperature	-20°C~60°C
IP rating	65
Max Bluetooth Range	200ft
Warranty	5years

# SENSOR COVERAGE

